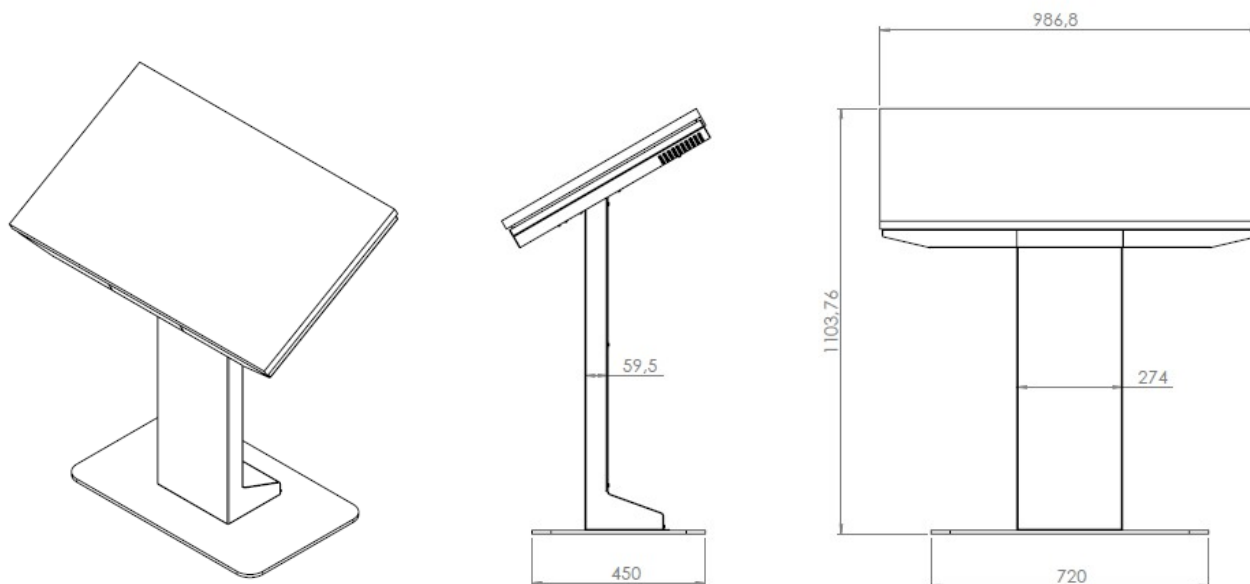


Floorstand for touchscreens is designed to be robust and elegant. Perfect for wayfinding in shopping malls or product orientation in retail stores. Cooling duct inside the pillar space for external computer.



TECHNICAL DRAWING



SPECIFICATION

Features

Cooling duct for air ventilation of computers inside the pillar
Designed for landscape
Available in Black or White
Easy access from behind for cable management and external computer
Works perfect with Samsung QM43R-T
Custom logo can be added

Material options

Powder coated metal

Display options

Samsung QM43R-T

Powder coating colors

Black, RAL 9005str
White, RAL 9003str
Custom color upon request

Designer

Ali Nekzada

Part number & Description

FT4315-0101-01 Samsung QM43R-T, White
FT4315-0101-02 Samsung QM43R-T, Black